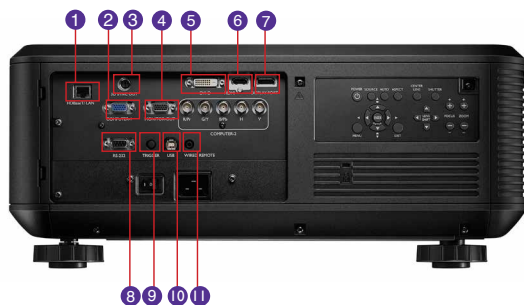




Features

- XGA (1024x768) Resolution
- 7,700 ANSI Lumens
- 2,800:1 Contrast Ratio
- Dual Lamp System
- HDBaseT Connectivity
- Flexible Placement Options for Multiple Applications
- Interchangeable Lenses and Color Wheels
- Powered Zoom, Focus, and Lens Shift

Input and Output Terminals



- | | |
|-------------------------------|------------------------------------|
| 1 HDBaseT/ LAN | 7 DisplayPort |
| 2 Computer 1 in (D-sub 15pin) | 8 RS232 (DB-9pin) |
| 3 3D Sync Out | 9 12V Trigger |
| 4 Monitor out (D-sub 15pin) | 10 USB (Type Mini B) |
| 5 DVI-D in | 11 Wired Remote |
| 6 HDMI | 12 Computer 2 in (5BNC, R/G/B/H/V) |

Specifications

Projection System	DLP®
Native Resolution	XGA (1024x768)
Brightness	7,700 ANSI lumens
Contrast Ratio	2,800:1
Display Color	1.07 Billion Colors
Aspect Ratio	Native 16:10 (5 aspect ratio selectable)
Image Size Diagonal	80~500"
Lamp Type	350W x 2
Lamp Life	2,000/2,500 hours
Keystone Adjustment	1D, Vertical ± 30 degrees
Resolution Support	NTSC, PAL, SECAM
Horizontal Frequency	15K~91kHz
Vertical Scan Rate	48Hz~120Hz
Compatibility	HDTV Compatibility: 480i, 480p, 576i, 567p, 720p, 1080i, 1080p
Interface	Computer 1 in (D-sub 15pin) x 1 Computer 2 in (5BNC, R/G/B/H/V) x 1 Monitor out (D-sub 15pin) x 1 HDMI (1.4a) x 1 (Compatible with HDCP) DVI-D in x 1 (Compatible with HDCP) LAN (RJ45) x 1 (LAN Control) USB (Type Mini B) x 1 (Download) HDBaseT x 1 (Share with RJ45) DisplayPort x 1 12V Trigger x 1 RS232 (DB-9pin) x 1 Wired Remote x 1 IR Receiver x 2 (Front+Rear)
Dimensions (WxHxD)	20" x 9" x 21"
Weight	46.2 lbs (Without lens)
Power Supply	AC 100 to 240 V, 50/60 Hz
Stand-by Power Consumption	<0.5W (Only Power button on remote and keypad can work)
Acoustic Noise (Typ./Eco.)	41/36 db
Operating Temperature	5~40° C
Accessories (Standard)	Remote Control w/ Battery, Power Cord, User Manual CD, Quick Start Guide, Warranty Card, VGA(D-sub 15pin) Cable, Lens cover, 2 Color Wheels
Accessories (Optional)	Spare Lamp Kit P/N: 5J.JC705.001 Ceiling Mount P/N: 5J.JCY10.001 Remote Control P/N: 5J.JC706.001 Optional Lens: (see reference chart)
UPC Code	8400460-3068-1
Limited Warranty	3 years warranty, 1 year/2000 hours lamp life

*Lamp life results will vary depending on environmental conditions and usage. Actual product's features and specifications are subject to change without notice.

BenQ Lens	P/N	Zoom Ratio	Throw Ratio	Lens Shift (Powered)	Marketing Model
STD Lens	5J.JAM37.001	1.3:1	1.79~2.35	0-50% Vertical; +-10% Horizontal	PZL-001
Wide Fix	5J.JAM37.011	Fixed	0.79	NA	PFL-011
Wide Zoom	5J.JAM37.021	1.41:1	1.31~1.85	0-50% Vertical; +-10% Horizontal	PZL-021
Long Zoom 1	5J.JAM37.031	1.5:1	3.71~5.57	0-50% Vertical; +-10% Horizontal	PZL-031
Long Zoom 2	5J.JAM37.041	1.55:1	5.5~8.56	0-50% Vertical; +-10% Horizontal	PZL-041
Semi Long Zoom	5J.JAM37.051	1.65:1	2.31~3.81	0-50% Vertical; +-10% Horizontal	PZL-051
Ultra Wide Zoom	5J.JAM37.061	1.25:1	0.77~0.97	0-45% Vertical; +-10% Horizontal	PZL-061

Lens Images



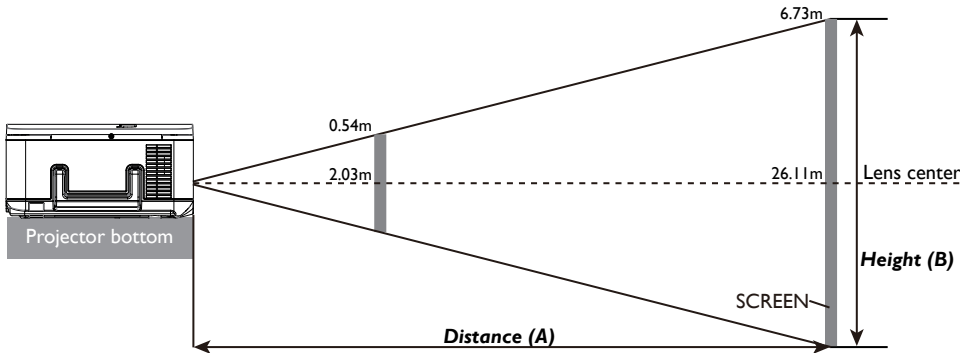
PX9710 11-13-14-BQus

PX9710 Digital Projector

Distance Chart and Screen Size

Screen Size						5JAM37.01 I		5JAM37.02 I				5JAM37.00 I				5JAM37.05 I			
						Wide Fix Lens		Wide Zoom Lens				STD Lens				Semi long Zoom I			
Diagonal		Width		Height(B)		Distance(A)													
						N/A		Wide		Tele		Wide		Tele		Wide		Tele	
(inch)	(m)	(inch)	(m)	(inch)	(m)	(inch)	(m)	(inch)	(m)	(inch)	(m)	(inch)	(m)	(inch)	(m)	(inch)	(m)	(inch)	(m)
40	1.02	32	0.81	24	0.61	24.5	0.62	40.4	1.03	58.5	1.49	55.8	1.42	74.1	1.88	71.9	1.83	121.3	3.08
50	1.27	40	1.02	30	0.76	31.0	0.79	51.0	1.30	73.6	1.87	70.4	1.79	93.2	2.37	90.7	2.30	152.4	3.87
60	1.52	48	1.22	36	0.91	37.6	0.96	61.6	1.57	88.8	2.25	85.1	2.16	112.4	2.86	109.5	2.78	183.5	4.66
80	2.03	64	1.63	48	1.22	50.8	1.29	82.9	2.11	119.0	3.02	114.3	2.90	150.8	3.83	147.0	3.73	245.7	6.24
100	2.54	80	2.03	60	1.52	63.9	1.62	104.1	2.65	149.2	3.79	143.5	3.65	189.1	4.80	184.6	4.69	307.9	7.82
120	3.05	96	2.44	72	1.83	77.1	1.96	125.4	3.18	179.4	4.56	172.8	4.39	227.4	5.78	222.1	5.64	370.1	9.40
150	3.81	120	3.05	90	2.29	96.8	2.46	157.3	3.99	224.8	5.71	216.7	5.50	285.0	7.24	278.4	7.07	463.4	11.77
180	4.57	144	3.66	108	2.74	116.6	2.96	189.1	4.80	270.1	6.86	260.5	6.62	342.5	8.70	334.8	8.50	556.7	14.14
200	5.08	160	4.06	120	3.05	129.7	3.30	210.4	5.34	300.3	7.63	289.8	7.36	380.8	9.67	372.3	9.46	618.9	15.72
300	7.62	240	6.1	180	4.57	195.5	4.97	316.6	8.04	451.5	11.47	436.0	11.07	572.6	14.54	560.0	14.23	930.0	23.62
400	10.16	320	8.13	240	6.1	261.3	6.64	422.9	10.74	602.6	15.31	582.2	14.79	764.3	19.41	747.8	18.99	1241.0	31.52
500	12.70	400	10.16	300	7.62	327.1	8.31	529.1	13.44	753.7	19.14	728.5	18.50	956.1	24.28	935.5	23.76	1552.0	39.42

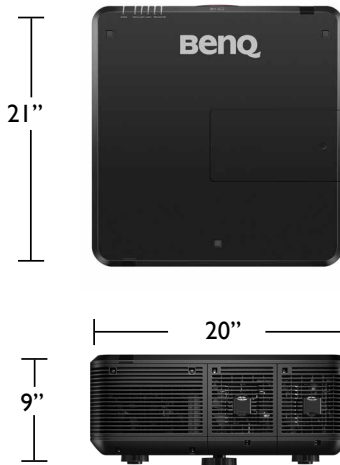
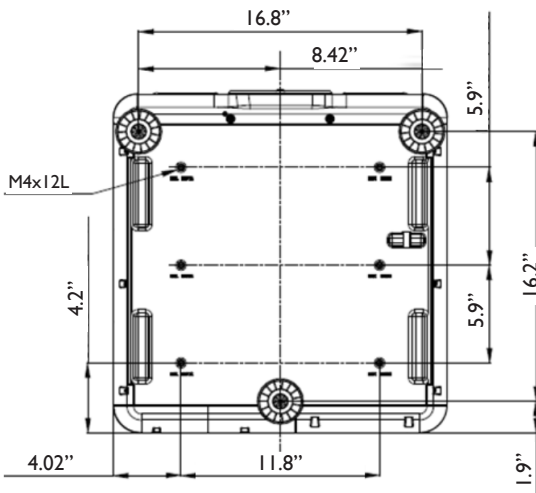
Screen Size						5JAM37.03 I				5JAM37.04 I				5JAM37.06 I			
						Long Zoom 1 Lens				Long zoom 2 Lens				Ultra Wide zoom Lens			
Diagonal		Width		Height(B)		Distance(A)											
						Wide		Tele		Wide		Tele		Wide		Tele	
(inch)	(m)	(inch)	(m)	(inch)	(m)	(inch)	(m)	(inch)	(m)	(inch)	(m)	(inch)	(m)	(inch)	(m)	(inch)	(m)
40	1.02	32	0.81	24	0.61	115.9	2.94	176.8	4.49	169.6	4.31	271.2	6.89	23.9	0.61	30.4	0.77
50	1.27	40	1.02	30	0.76	146.2	3.71	222.3	5.65	215.0	5.46	341.9	8.68	30.3	0.77	38.4	0.98
60	1.52	48	1.22	36	0.91	176.5	4.48	267.9	6.80	260.3	6.61	412.6	10.48	36.7	0.93	46.5	1.18
80	2.03	64	1.63	48	1.22	237.1	6.02	358.9	9.12	350.9	8.91	554.0	14.07	49.5	1.26	62.5	1.59
100	2.54	80	2.03	60	1.52	297.7	7.56	450.0	11.43	441.6	11.22	695.3	17.66	62.4	1.58	78.6	2.00
120	3.05	96	2.44	72	1.83	358.2	9.10	541.0	13.74	532.2	13.52	836.7	21.25	75.2	1.91	94.7	2.40
150	3.81	120	3.05	90	2.29	449.1	11.41	677.6	17.21	668.2	16.97	1048.8	26.64	94.4	2.40	118.8	3.02
180	4.57	144	3.66	108	2.74	540.0	13.72	814.2	20.68	804.1	20.42	1260.9	32.03	113.7	2.89	142.9	3.63
200	5.08	160	4.06	120	3.05	600.6	15.26	905.3	22.99	894.8	22.73	1402.2	35.62	126.5	3.21	158.9	4.04
300	7.62	240	6.1	180	4.57	903.6	22.95	1360.5	34.56	1348.0	34.24	2109.1	53.57	190.7	4.84	239.2	6.08
400	10.16	320	8.13	240	6.1	1206.6	30.65	1815.8	46.12	1801.2	45.75	2816.0	71.53	254.9	6.47	319.5	8.12
500	12.70	400	10.16	300	7.62	1509.5	38.34	2271.1	57.69	2254.3	57.26	3522.9	89.48	319.1	8.10	399.9	10.16



Ceiling Mount Chart

Dimensions

Units: inch



Because it matters