

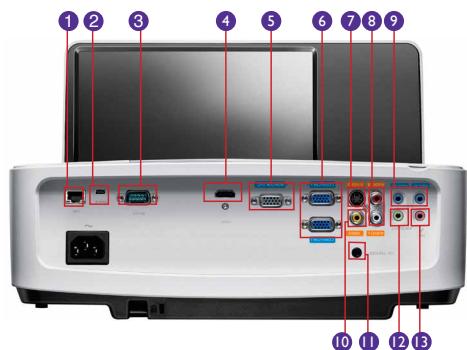


Features

- Native XGA (1024 x 768) Resolution
- 3,000 ANSI Lumens, 13,000:1 High Contrast Ratio
- SmartEco™ Power Saving Technology
- Full 3D Ready
- Up to 7,000 Hours Lamp Life
- Wall Mount Bundle



Input and Output Terminals



- | | |
|-----------------------------------|------------------------------|
| 1 LAN | 7 S-Video In (Mini DIN 4pin) |
| 2 USB Type B | 8 Audio (L/R) |
| 3 RS232 (DB-9pin) | 9 Audio In (x 2) |
| 4 HDMI | 10 Composite Video in (RCA) |
| 5 Monitor Out (D-sub 15pin) | 11 12V Trigger |
| 6 Computer in 1 & 2 (D-sub 15pin) | 12 Audio Out (Mini Jack) |
| | 13 Mic |

Specifications

Projection System	DLP®
Native Resolution	XGA (1024 x 768)
Brightness	3,000AL
Contrast Ratio	13,000:1
Display Color	1.07 Billion Colors
Lens	F=2.53,f=5.38
Aspect Ratio	Native 4:3 (5 aspect ratio selectable)
Throw Ratio	0.47
Image Size (Diagonal)	60"~120"
Zoom Ratio	Fix
Lamp Type	240W
Lamp (Normal/Economic Mode)*	3500/5000/7000 hours
Keystone Adjustment	1D, Vertical +/- 15 degrees
Projection Offset	153% ±5%
Resolution Support	VGA(640 x 480) to UXGA(1600 x 1200)
Horizontal Frequency	15~102KHz
Vertical Scan Rate	23~120Hz
Compatibility	HDTV Compatibility: 480i, 480p, 576i, 576p, 720p, 1080i, 1080p Video Compatibility: NTSC, PAL, SECAM,
Interface	Computer in (D-sub 15pin) x 2(Shared with component) Monitor out (D-sub 15pin) x 1 Composite Video in (RCA) x 1 S-Video in (Mini DIN 4pin) x 1 HDMI x 1 Audio in (Mini Jack) x 2 Audio out (Mini Jack) x 1 Audio L/R x 1 Speaker 10W x 2 USB (Type mini B) x 1 (FW download) RJ45 x 1 (LAN control) RS232 (DB-9pin) x 1 IR Receiver x 2
Dimensions (WxHxD)	13.3" x 9.3" x 12.7"
Weight	13.6 (w/o wall mount)
Power Supply	AC100 to 240 V, 50 to 60 Hz
Power Consumption	typical 330W, standby power <0.5W
Audible Noise	36/30 dBA (Normal/Economic mode)
Languages	Arabic/Bulgarian/ Croatian/ Czech/ Danish/ Dutch/ English/ Finnish/ French/ German/ Greek/ Hindi/ Hungarian/ Italian/ Indonesian/ Japanese/ Korean/ Norwegian/ Polish/ Portuguese/ Romanian/ Russian/ Simplified Chinese/Spanish/ Swedish/ Turkish/ Thai/ Traditional Chinese (28 Languages)
Picture Mode	Dynamic/Presentation/sRGB/Cinema/(3D)/User 1/User 2
Accessories (Standard)	Remote Control w/ Battery, Power Cord, User Manual CD Quick Start Guide, Warranty Card, VGA (D-sub 15pin) Cable, Dust filter (C SKU), Wall mount kit (installation guide)
Accessories (Optional)	Spare Lamp Kit P/N: 5J.JCA05.001 Wall Mount (WM04G41) 3D Glasses (DGD24) P/N: 5J.J7L25.001
UPC / Part #	8400460-2079-8 / 9HJCA77.13A
Limited Warranty	3 Years Parts/Labor; 1 Year or 2,000 hours of lamp life.

*Lamp life results will vary depending on environmental conditions and usage. Actual product's features and specifications are subject to change without notice.



MX842UST 07-08-14-BQus



BenQ America Corp.
www.BenQ.us

BenQ is a registered trademark of BenQ Corp. DLP® is a registered trademark of Texas Instruments. All rights reserved. Product names, logos, brands, and other trademarks featured or referred to in this materials are the property of their respective trademark holders. Specifications subject to change without notice.

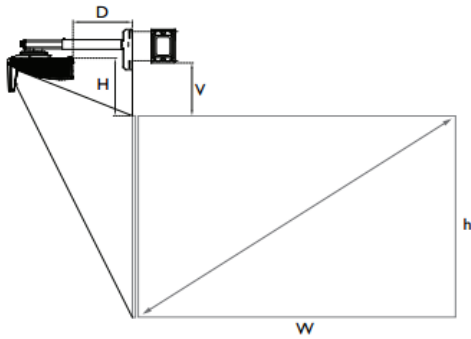


Because it matters

MX842UST Digital Projector

Distance Chart

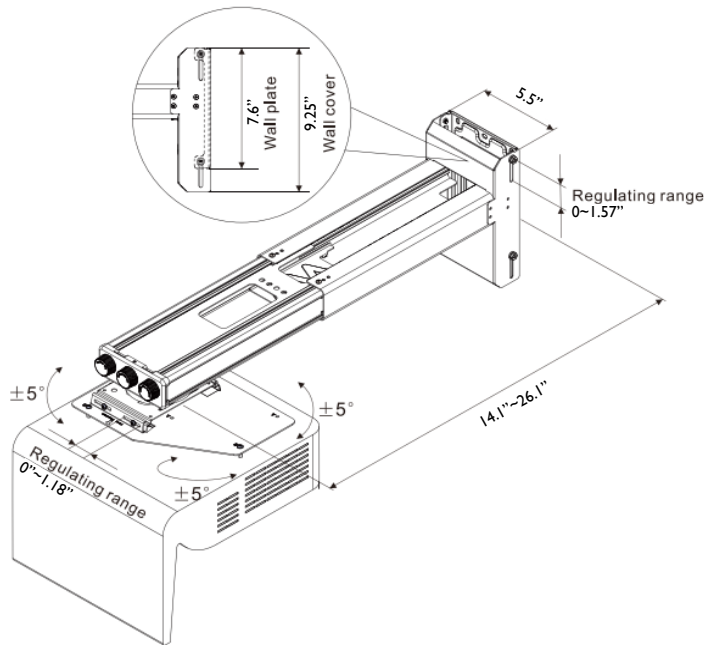
The screen aspect ratio is 16:10 and the projected picture is in a 16:10 aspect ratio



XGA											
Screen size (Diagonal)		Screen size Width (W)		Screen size Height (h)		Projection distance (D)		Offset (H)		Scale parameter	Distance between Wall plate & projection screen (V)
inch	mm	inch	mm	inch	mm	inch	mm	inch	mm	inch	
68	1727	54	1382	40	1036	11.16	283.4	11.86	301.3	500	273.5
70	1778	55	1422	42	1067	11.91	302.4	12.15	308.5	515	280.7
75	1905	59	1524	45	1143	13.83	351.4	12.88	327.2	560	299.4
77	1956	61	1565	46	1173	14.62	371.4	13.18	334.8	585	307
80	2032	63	1626	48	1219	15.72	399.4	13.60	345.4	615	317.6
82	2083	65	1666	49	1250	16.51	419.4	13.90	353	635	325.2
85	2159	67	1727	51	1295	17.61	447.4	14.32	363.7	665	335.9

Wall Mount / Ceiling Mount Chart

Units: inch



Dimensions

Units: inch



Because it matters