



Features

- Native WXGA (1280 x 800) Resolution
- 3,200 ANSI Lumens, 10,000:1 High Contrast Ratio
- SmartEco™ Power Saving Technology
- Vertical 8% lens shift
- Up to 7,000 Hours Lamp Life
- PointWrite Interactive Kit Compatible
- Wall Mount Included
- Full 3D Ready



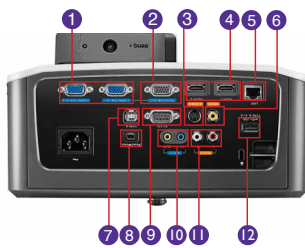
PointWrite Kit (PW01U)



Touch Module (PT01)



Input and Output Terminals



- | | |
|-----------------------------------|-----------------------------|
| 1 Computer in 1 & 2 (D-sub 15pin) | 7 USB (Type Mini B) |
| 2 Monitor Out (D-sub 15pin) | 8 PointWrite |
| 3 S-Video In (Mini DIN 4pin) | 9 RS232 (DB-9pin) |
| 4 HDMI 1 & 2 | 10 Audio In/Out (Mini Jack) |
| 5 LAN | 11 Audio (L/R) |
| 6 Composite Video in (RCA) | 12 USB (Type A) |

Specifications

Projection System	DLP®
Native Resolution	WXGA (1280 x 800)
Brightness	3,200AL
Contrast Ratio	10,000:1
Display Color	1.07 Billion Colors
Lens	F2.5, f=5.1mm
Aspect Ratio	Native 16:10 (5 aspect ratio selectable)
Throw Ratio	0.35
Image Size (Diagonal)	80"~100", Optimal 87"
Zoom Ratio	Fix
Lamp Type	230W
Lamp (Normal/Economic Mode)*	4000/5000/7000 hours
Keystone Adjustment	1D, Vertical +/- 40 degrees
Projection Offset	136% ~ 144% (±5%)
Resolution Support	VGA(640 x 480) to UXGA(1600 x 1200)
Horizontal Frequency	15~102KHz
Vertical Scan Rate	23~120Hz
Compatibility	HDTV Compatibility: 480i, 480p, 576i, 576p, 720p, 1080i, 1080p Video Compatibility: NTSC, PAL, SECAM,
Interface	Computer in (D-sub 15pin) x 2(Shared with component) Monitor out (D-sub 15pin) x 1 Composite Video in (RCA) x 1 S-Video in (Mini DIN 4pin) x 1 HDMI x 2 Audio in (Mini Jack) x 1 Audio out (Mini Jack) x 1 Audio L/R x 1 Speaker 10W x 2 USB (Type A) x1 (1A Power for PT01 Touch module) USB (Type mini B) x 1 (PointWrite interactive module) USB (Type B) x 1 (FW download) RJ45 x 1 (LAN control) RS232 (DB-9pin) x 1 IR Receiver x 2 (Front)
Dimensions (WxHxD)	11.3" x 14.6" x 7.31" (w/o Mirror) 11.3" x 14.6" x 7.9" (w Mirror)
Weight	11.02 lbs (5KG) w/o wall mount
Power Supply	AC100 to 240 V, 50 to 60 Hz
Power Consumption	Typical 290W, Standby power <0.5W
Audible Noise	33/29 dBA (Normal/Economic mode)
Languages	Arabic/Bulgarian/ Croatian/ Czech/ Danish/ Dutch/ English/ Finnish/ French/ German/ Greek/ Hindi/ Hungarian/ Italian/ Indonesian/ Japanese/ Korean/ Norwegian/ Polish/ Portuguese/ Romanian/ Russian/ Simplified Chinese/Spanish/ Swedish/ Turkish/ Thai/ Traditional Chinese (28 Languages)
Picture Mode	Dynamic/Presentation/sRGB/Cinema/(3D)/User 1/User 2
Accessories (Standard)	Remote Control w/ Battery, Power Cord, User Manual CD Quick Start Guide, Warranty Card, VGA(D-sub 15pin) Cable Dust filter(C SKU), Wall mount installation guide
Accessories (Optional)	Spare Lamp Kit P/N: 5J.J8M05.011 3D Glasses (DGD24) P/N: 5J.J7L25.002 PointWrite Kit (PW01U) P/N: 5J.J8L26.20E PointWrite Pen Only P/N: 5J.J9A26.001 Touch Module P/N: 5J.J8L26.10E
UPC / Part #	8400460-3149-7 / 9H.J8L77.26A
Limited Warranty	3 Years Parts/Labor; 1 Year or 2000 Hours of Lamp Life

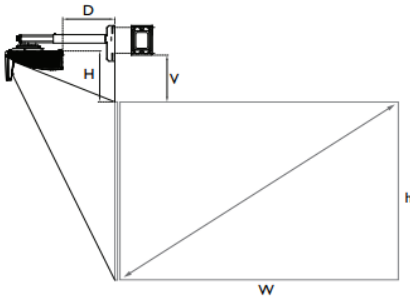
*Lamp life results will vary depending on environmental conditions and usage. Actual product's features and specifications are subject to change without notice.



MW853UST+ 08-28-14-BQus

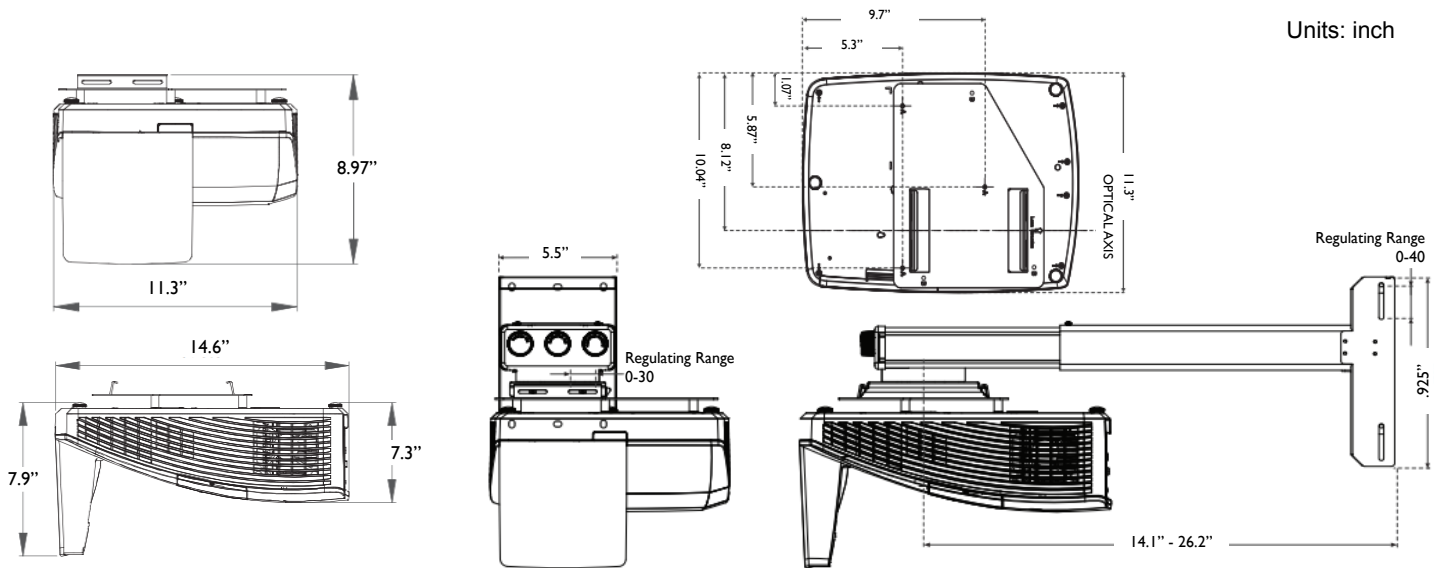
MW853UST+ Digital Projector

Distance Chart



WXGA											
Screen size (Diagonal)		Screen size Width (W)		Screen size Height (h)		Projection distance (D)		Offset (H)		Scale parameter	Distance between Wall plate & projection screen (V)
inch	mm	inch	mm	inch	mm	inch	mm	inch	mm	inch	
80	2032	67	1723	42	1077	11.11	282.3	11.02	280	495	254.7
85	2159	71	1831	45	1144	12.73	323.3	11.59	294.3	535	269
87	2210	73	1874	46	1171	13.40	340.3	11.82	300.2	555	274.9
90	2286	76	1939	47	1212	14.38	365.3	12.16	308.9	580	283.6
92	2337	77	1982	48	1239	15.01	381.3	12.38	314.4	600	289.1
95	2413	80	2046	50	1279	15.98	405.8	12.72	323	625	297.7
97	2464	81	2089	51	1306	16.65	422.8	12.95	328.9	645	303.6
100	2540	85	2154	53	1346	17.55	445.8	13.26	336.9	665	311.6

Ceiling Mount Chart



Dimensions



Because it matters