

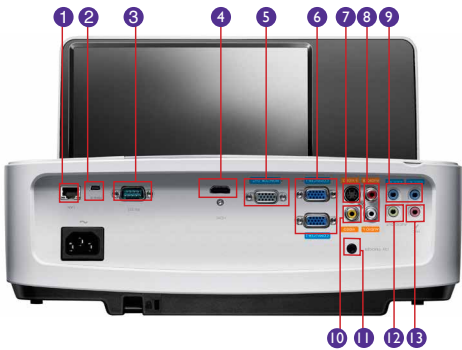


Features

- Native WXGA (1280 x 800) Resolution
- 3,000 ANSI Lumens, 13,000:1 High Contrast Ratio
- SmartEco™ Power Saving Technology
- Full 3D Ready
- Up to 7,000 Hours Lamp Life
- Wall Mount Bundle



Input and Output Terminals



- | | |
|-----------------------------------|------------------------------|
| 1 LAN | 7 S-Video In (Mini DIN 4pin) |
| 2 USB Type B | 8 Audio (L/R) |
| 3 RS232 (DB-9pin) | 9 Audio In (x 2) |
| 4 HDMI | 10 Composite Video in (RCA) |
| 5 Monitor Out (D-sub 15pin) | 11 12V Trigger |
| 6 Computer in 1 & 2 (D-sub 15pin) | 12 Audio Out (Mini Jack) |
| | 13 Mic |

Specifications

Projection System	DLP®	
Native Resolution	WXGA (1280 x 800)	
Brightness	3,000AL	
Contrast Ratio	13,000:1	
Display Color	1.07 Billion Colors	
Lens	F=2.53,f=5.38	
Aspect Ratio	Native 16:10 (5 aspect ratio selectable)	
Throw Ratio	0.37	
Image Size (Diagonal)	64"~120"	
Zoom Ratio	Fix	
Lamp Type	240W	
Lamp (Normal/Economic Mode)*	3500/5000/7000 hours	
Keystone Adjustment	1D, Vertical +/- 15 degrees	
Projection Offset	147% ±5%	
Resolution Support	VGA(640 x 480) to UXGA(1600 x 1200)	
Horizontal Frequency	15~102KHz	
Vertical Scan Rate	23~120Hz	
Compatibility	HDTV Compatibility: 480i, 480p, 576i, 576p, 720p, 1080i, 1080p Video Compatibility: NTSC, PAL, SECAM,	
Interface	Computer in (D-sub 15pin)	x 2(Shared with component)
	Monitor out (D-sub 15pin)	x 1
	Composite Video in (RCA)	x 1
	S-Video in (Mini DIN 4pin)	x 1
	HDMI	x 1
	Audio in (Mini Jack)	x 2
	Audio out (Mini Jack)	x 1
	Audio L/R	x 1
	Speaker	10W x 2
	USB (Type mini B)	x 1 (FW download)
	RJ45	x 1 (LAN control)
	RS232 (DB-9pin)	x 1
	IR Receiver	x 2
Dimensions (WxHxD)	13.3" x 9.3" x 12.7"	
Weight	13.6 lbs (w/o wall mount)	
Power Supply	AC100 to 240 V, 50 to 60 Hz	
Power Consumption	typical 330W, standby power <0.5W	
Audible Noise	36/30 dBA (Normal/Economic mode)	
Languages	Arabic/Bulgarian/ Croatian/ Czech/ Danish/ Dutch/ English/ Finnish/ French/ German/ Greek/ Hindi/ Hungarian/ Italian/ Indonesian/ Japanese/ Korean/ Norwegian/ Polish/ Portuguese/ Romanian/ Russian/ Simplified Chinese/Spanish/ Swedish/ Turkish/ Thai/ Traditional Chinese (28 Languages)	
Picture Mode	Dynamic/Presentation/sRGB/Cinema/(3D)/User 1/User 2	
Accessories (Standard)	Remote Control w/ Battery, Power Cord, User Manual CD, Quick Start Guide, Warranty Card, VGA (D-sub 15pin) Cable, Dust filter (C SKU), Wall mount kit (installation guide)	
Accessories (Optional)	Spare Lamp Kit	P/N: 5J.J8M05.011
	3D Glasses	P/N: 5J.J7L25.002
UPC / Part #	8400460-2226-6 / 9H.JCC77.13A	
Limited Warranty	3 Years Parts/Labor; 1 Year or 2000 Hours of Lamp Life	

*Lamp life results will vary depending on environmental conditions and usage. Actual product's features and specifications are subject to change without notice.



MW843UST I0-15-14_BQus



BenQ America Corp.
www.BenQ.us

BenQ is a registered trademark of BenQ Corp. DLP® is a registered trademark of Texas Instruments. All rights reserved. Product names, logos, brands, and other trademarks featured or referred to in this material are the property of their respective trademark holders. Specifications subject to change without notice.

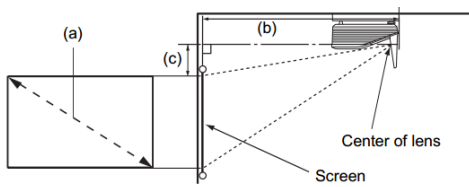


Because it matters

MW843UST Digital Projector

Distance Chart

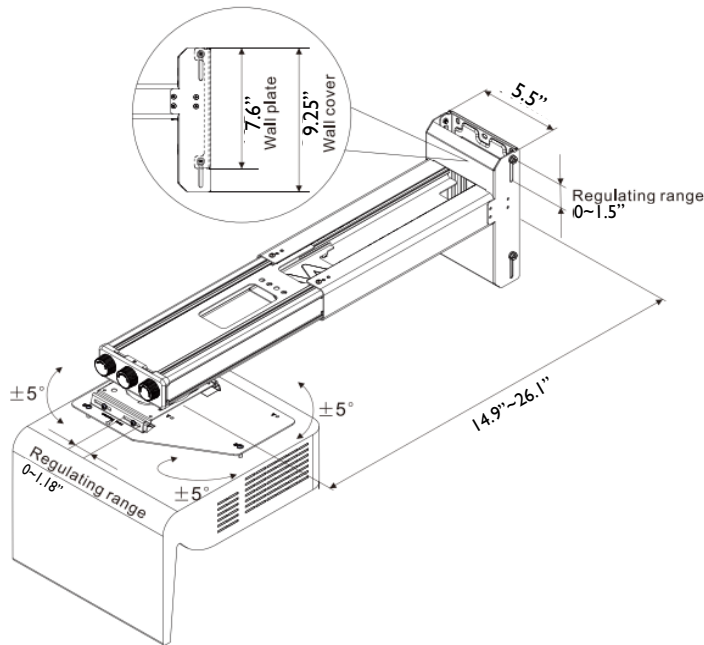
The screen aspect ratio is 16:10 and the projected picture is in a 16:10 aspect ratio



(a) Screen size				(b) Distance from screen (inch)	(c) Vertical offset (inch)
Diagonal		Height	Width		
inch	mm	inch	inch		
60	1524	32	51	19.0	7.0
70	1778	37	59	22.1	8.1
80	2032	42	68	25.3	9.3
90	2286	48	76	28.5	10.5
100	2540	53	85	31.6	11.6
110	2794	58	93	34.8	12.8
120	3048	64	102	38.0	14.0

Wall Mount / Ceiling Mount Chart

Units: inch



Dimensions

Units: inch

