

DIGITAL
PROJECTOR

MW526

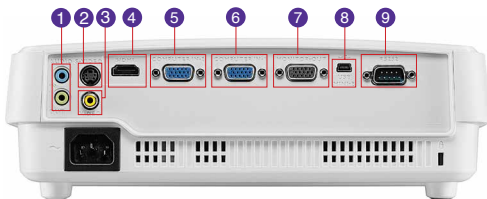


Features

- Native WXGA Resolution (1280x800)
- 3,200 ANSI Lumens; 13,000:1 Contrast Ratio
- SmartEco™ Power Saving Technology
- Up to 10,000 Hours Long Lamp Life
- <0.5W Standby Mode & HDMI
- Full 3D Ready



Input and Output Terminals



- 1 Audio In & Out (Mini Jack)
- 2 S-Video (Mini DIN 4-pin)
- 3 Composite Video in (RCA)
- 4 HDMI
- 5 Computer-1 (D-sub 15pin)
- 6 Computer-2 (D-sub 15pin)
- 7 Monitor Out (D-sub 15pin)
- 8 USB (Type mini-B)
- 9 RS232 (DB-9pin)

Specifications

Projection System	DLP
Native Resolution	WXGA (1280 x 800)
Brightness	3,200AL
Contrast Ratio	13,000:1
Display Color	1.07 Billion Colors
Lens	F=2.56-2.8, f=21-23.1 mm
Aspect Ratio	Native 16:10
Throw Ratio	1.5-1.65 (62"@2m)
Image Size Diagonal	53"~146"
Zoom Ratio	1.1X
Lamp Type	190W
Normal/ Eco/ SmartEco / SmartEco Lamp Care	4,500/ 6,000/ 6,500/ 10,000 hours
Keystone Adjustment	1D, Vertical +/- 40 degrees
Projection Offset	100% ±5%
Resolution Support	VGA(640 x 480) to UXGA(1600 x 1200)
Horizontal Frequency	15~102KHz
Vertical Scan Rate	23~120Hz
Compatibility	HDTV Compatibility: 480i, 480p, 576i, 576p, 720p, 1080i, 1080p Video Compatibility: NTSC, PAL, SECAM 3D Compatibility: Frame Sequential: Up to 720p Frame Packing: Up to 1080p Side by Side: Up to 1080i/p Top Bottom: Up to 1080p
Interface	Computer in (D-sub 15pin) x 2 (Share with component) Monitor out (D-sub 15pin) x 1 Composite Video in (RCA) x 1 S-Video in (Mini DIN 4pin) x 1 HDMI x 1 Audio in (Mini Jack) x 1 Audio out (Mini Jack) x 1 Speaker 2W x 1 USB (Type mini B) x 1 RS232 (DB-9pin) x 1 IR Receiver x 1 (Front)
Dimensions (WxHxD)	11.4" x 3.7" x 8.7" (with feet)
Weight	4.1 lbs
Power Supply	AC100 to 240 V, 50 to 60 Hz
Power Consumption	Normal 270W, Eco 220W, Standby<0.5W
Audible Noise	33/28 dBA (Normal/Economic mode)
On-Screen Display Languages	Arabic/Bulgarian/ Croatian/ Czech/ Danish/ Dutch/ English/ Finnish/ French/ German/ Greek/ Hindi/ Hungarian/ Italian/ Indonesian/ Japanese/ Korean/ Norwegian/ Polish/ Portuguese/ Romanian/ Russian/ Simplified Chinese/Spanish/ Swedish/ Turkish/ Thai/ Traditional Chinese (28 Languages)
Picture Mode	Dynamic/Presentation/sRGB/Cinema/User 1/User 2
Accessories (Standard)	Remote Control w/ Battery, Power Cord, Quick Start Guide, UM Download and Regulatory Statements, Warranty Card, VGA (D-sub 15pin) Cable
Accessories (Optional)	Spare Lamp Kit P/N: 5J.JC205.001 Ceiling Mount P/N: 5J.J4N10.001 3D Glasses P/N: 5J.J7L25.002 Carry bag P/N: 5J.J4R09.001
UPC Code / Part #	8400460-3079-7 / 9H.JCH77.13A
Limited Warranty	1 year parts & labor; 180 days / 500 hours of lamp life



*Lamp life results will vary depending on environmental conditions and usage. Actual product's features and specifications are subject to change without notice.

MW526 011315_BQus



BenQ America Corp.
www.BenQ.us

BenQ is a registered trademark of BenQ Corp. DLP is a registered trademark of Texas Instruments. All rights reserved. Product names, logos, brands, and other trademarks featured or referred to in this material are the property of their respective trademark holders. Specifications subject to change without notice.

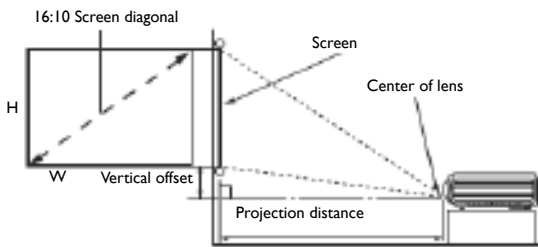


Because it matters

MW526 Digital Projector

Distance Chart

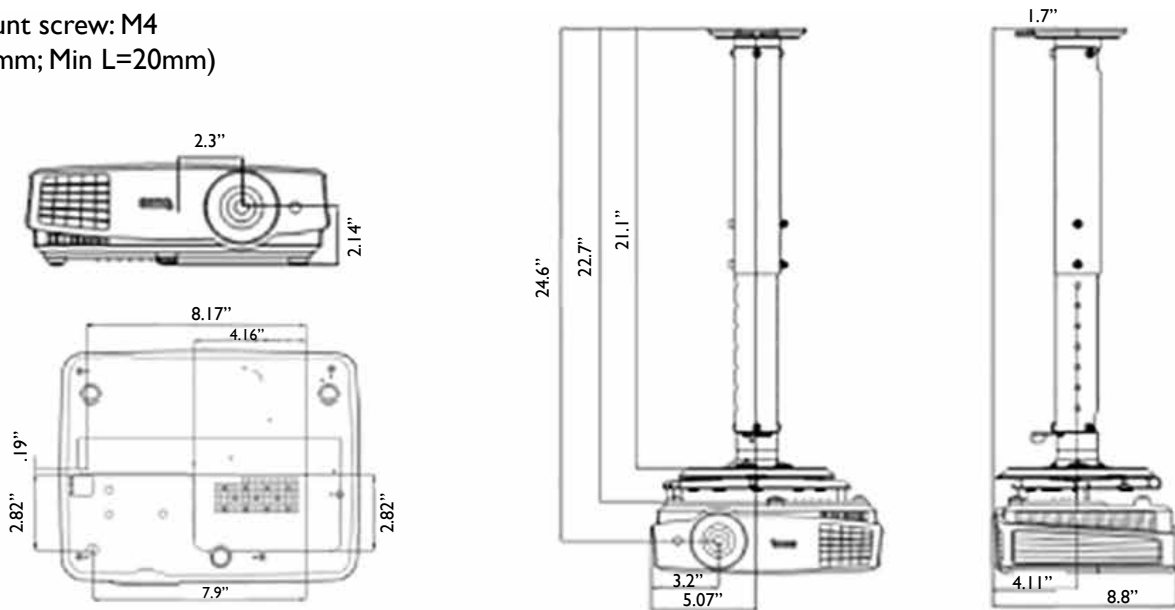
The screen aspect ratio is 16:10 and the projected picture is in a 16:10 aspect ratio



Screen Size				Projection distance (inch)		
Diagonal		W	H	Min distance	Average	Min distance
Inch	mm	(inch)	(inch)	(Max zoom)		(Max zoom)
40	1016	34	21	50.7	53.3	55.8
50	1270	42	26	63.5	66.7	69.8
60	1524	50	32	76.1	80.0	83.8
70	1778	59	37	88.8	93.3	97.7
80	2032	68	42	101.6	106.6	111.7
90	2286	76	47	114.3	120.0	125.7
100	2540	84	53	127.0	133.3	139.6
110	2794	93	58	139.6	146.7	159.4
120	3048	101	63	152.4	160.0	167.6
130	3302	110	68	165.1	173.3	181.6
140	3556	118	74	177.7	186.6	195.5
150	3810	127	79	190.5	200.0	209.5
160	4064	135	85	203.1	213.3	223.5
170	4318	144	90	215.9	226.6	237.4
180	4572	152	95	228.5	240.0	251.4
190	4826	161	101	241.2	253.3	265.5
200	5080	169	106	254.0	266.7	279.4
250	6350	212	132	317.5	333.3	349.2
300	7620	254	159	380.9	400.0	419.1

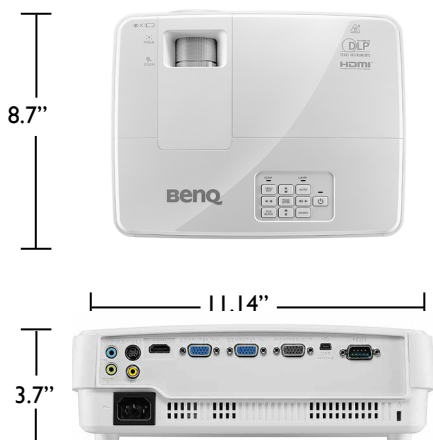
Ceiling Mount Chart

Ceiling Mount screw: M4
(Max L=25mm; Min L=20mm)



Units: inch

Dimensions



Because it matters